



# PACIFIC DISPLAY DEVICES

## LCD Component Data Sheet

**Model Number: 12864-15**

**128 x 64 Dot  
COG X-FSTN Graphic LCD Assembly  
With SSD-1805 Graphic Controller  
SPI Serial Interface Only  
LED or EL Panel Backlighting Option**

### CONTENTS

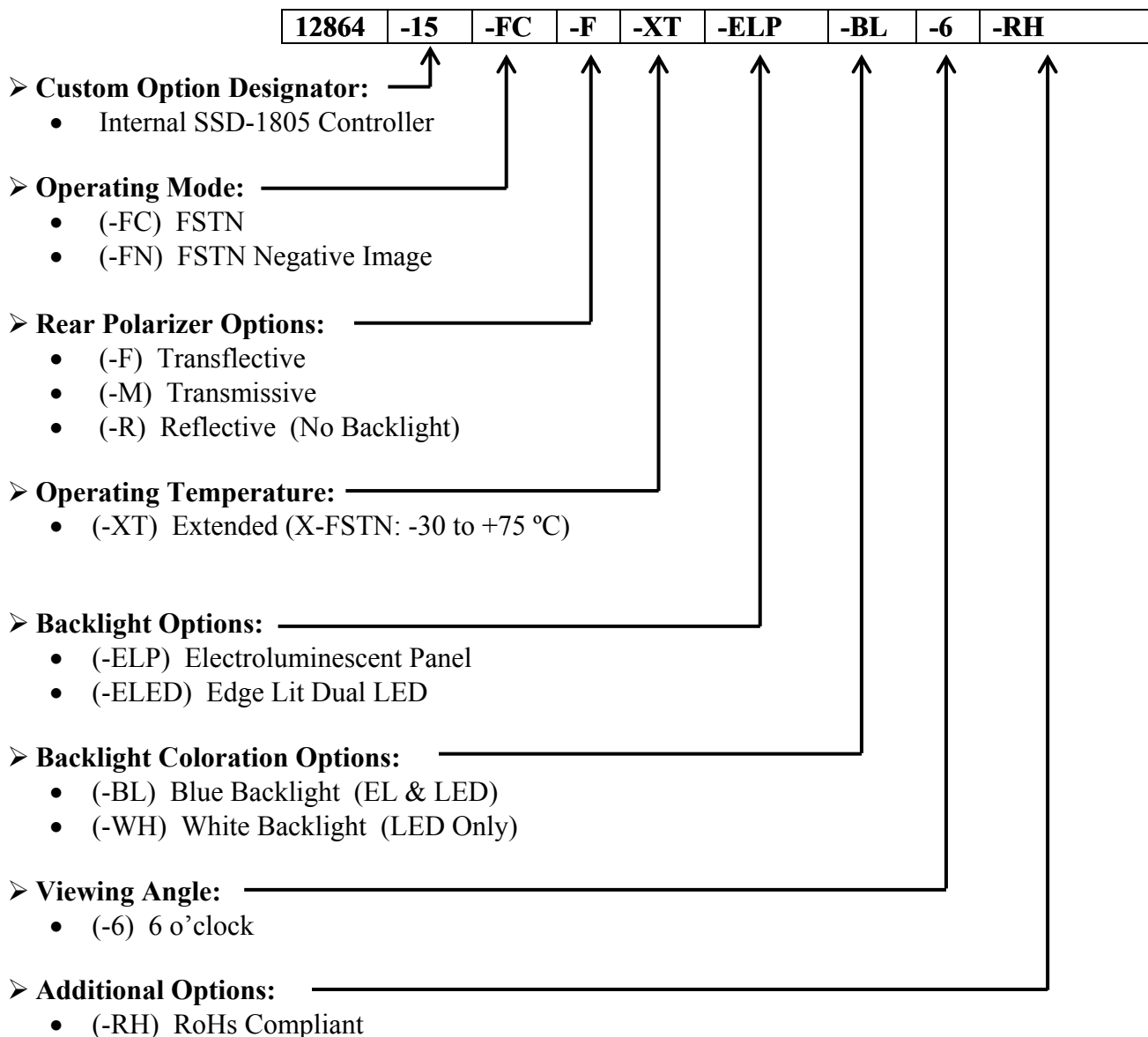
1.	GENERAL INFORMATION	
1.1	Product Overview	2
1.2	Part Options and Numbering System	2
1.3	Absolute Maximum Ratings	3
1.4	Circuit Block Diagram	3
1.5	Mechanical Characteristics	3
1.6	Input Signal Function	4
1.7	LCM Power, Contrast Control and Bias	4
1.8	LCD Dimensions – No Backlight	5
1.9	LCD Dimensions – With Blue EL Panel Backlight	5
1.10	LCD Dimensions – With Blue LED Backlight	6
1.11	LCD Dimensions – With White LED Backlight	7
1.12	Controller Chip Internal Interconnection	8
1.13	Controller Chip External Interconnection	9
1.14	Common and Segment Map	9
2.	ELECTRICAL / OPTICAL CHARACTERISTICS	
2.1	DC Electrical Characteristics	10
2.2	AC Electrical Characteristics	10
2.3	Optical Characteristics	11
2.4	ELP Backlight Characteristics	12
2.5	LED Backlight Characteristics	12
3.	LCD CONTROLLER CHARACTERISTICS	
3.1	LCD Controller Operating Principles and Methods (SSD-1805)	12
4.	RELIABILITY	13
5.	PRECAUTIONS FOR USING LCD MODULES	14

## 1. GENERAL INFORMATION

### 1.1 Product Overview

- 128 x 64 dot matrix LCD
- Chip On Glass (COG) Construction Technology
- FSTN Technology
- Samsung SSD-1805 Graphic Controller IC.
- SPI Serial Interface
- Multiplex drive : 1/64 duty, 1/9 bias
- LCD Module Service Life: 100,000 hours minimum
- 3V Only Operation with internal LCD bias voltage generator
- Internal Temperature Compensation and Software Adjustable Contrast Control

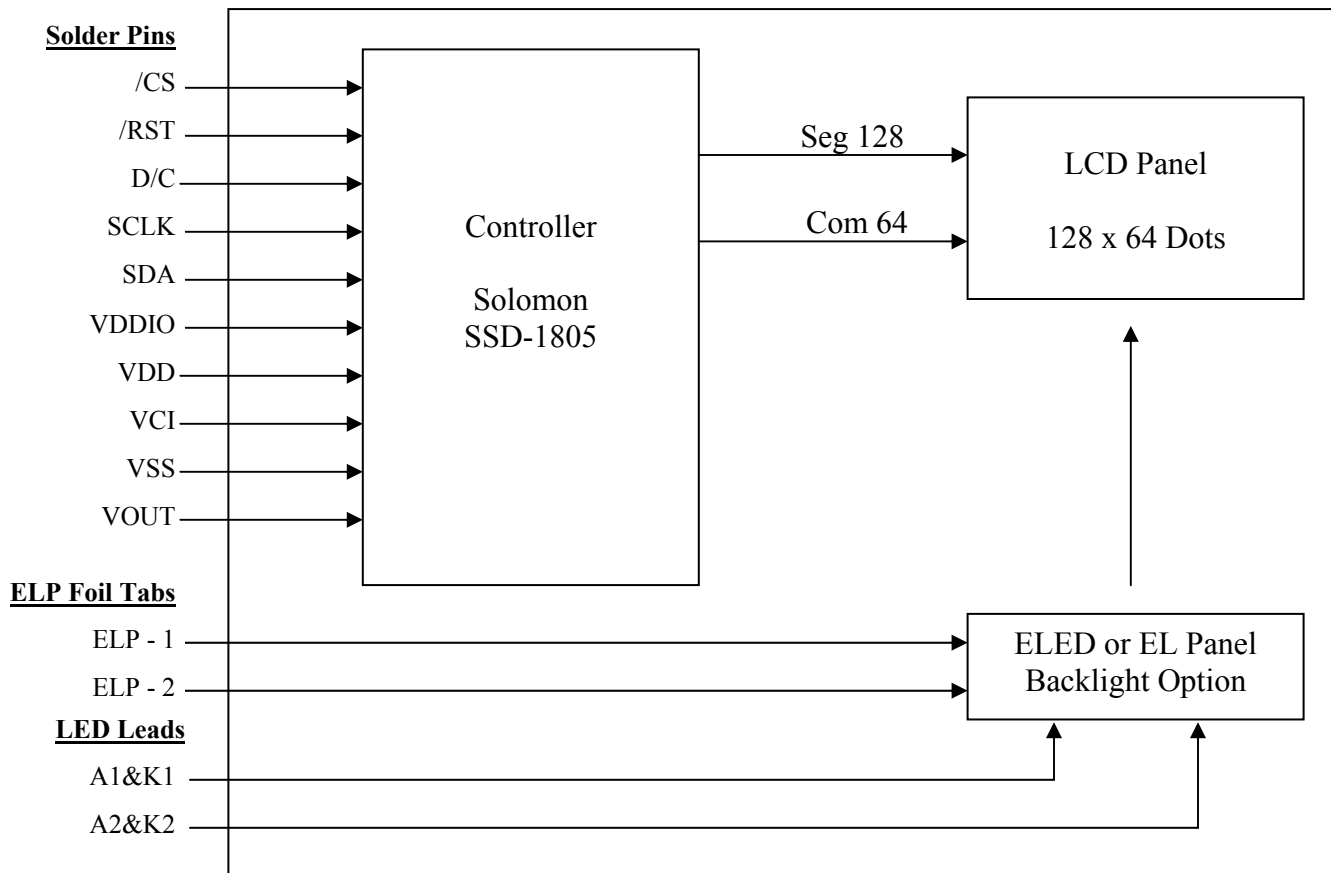
### 1.2 Part Options and Numbering System



### 1.3 Absolute Maximum Ratings

Parameter	Symbol	Min	Max	Unit
Supply voltage for logic	$V_{DD}$	-0.3	4.0	V
Supply voltage for LCD	$V_{DD} - V_0$	0.3	5	V
Input voltage	$V_I$	-0.3	$V_{DD} + 0.3$	V
eXtra- Extended Operating temperature	TOP (-XT)	-30	+75	°C
eXtra- Extended Storage temperature	TST (-XT)	-40	+85	°C
Soldering Temp	Tsolder	260		°C

### 1.4 Circuit Block Diagram



### 1.5 Mechanical Characteristics

Item	Contents	Unit
Module size (W×H×T)	64.0 × 45.0 × 3.4 Max	mm
Viewing area (W×H)	60.0 × 31.0	mm
Active area (W×H)	57.57 × 28.77	mm
Number of dots	128 × 64	dots
Dot size (W×H)	0.39 × 0.39	mm
Dot pitch (W×H)	0.42 × 0.42	mm

## 1.6 Input Signal Function

### Solder Pins

Pin No.	Symbol	Description
1	/CS	Chip Select
2	/RST	Hardware reset input. Reset active low "0".
3	D - /C	This pin is Data/Command control pin. When the pin is pulled high, the data at SDA is treated as display data. When the pin is pulled low, the data at SDA will be transferred to the command register.
4	SCLK	SPI - Serial Data Clock
5	SDA	SPI - Serial Data
6	VDDIO	This pin is the system power supply pin of bus IO buffer. Typical: Connect to VDD
7	VDD	This pin is the system power supply pin of the logic block.
8	VCI	Reference voltage input for internal DC-DC converter. An external capacitor (C1 = 1uF ~2uF) to Vss is required. Typical: Connect to VDD
9	VSS	Ground
10	VOU	Bias Control Voltage An external capacitor (C1 = 2.2uF ~4.7uF) to Vss is required

### Backlight Foil Tabs (EL Panel Only)

Pin No.	Symbol	Description
1	ELP-1	EL Backlight Power Foil Tabs
2	ELP-2	

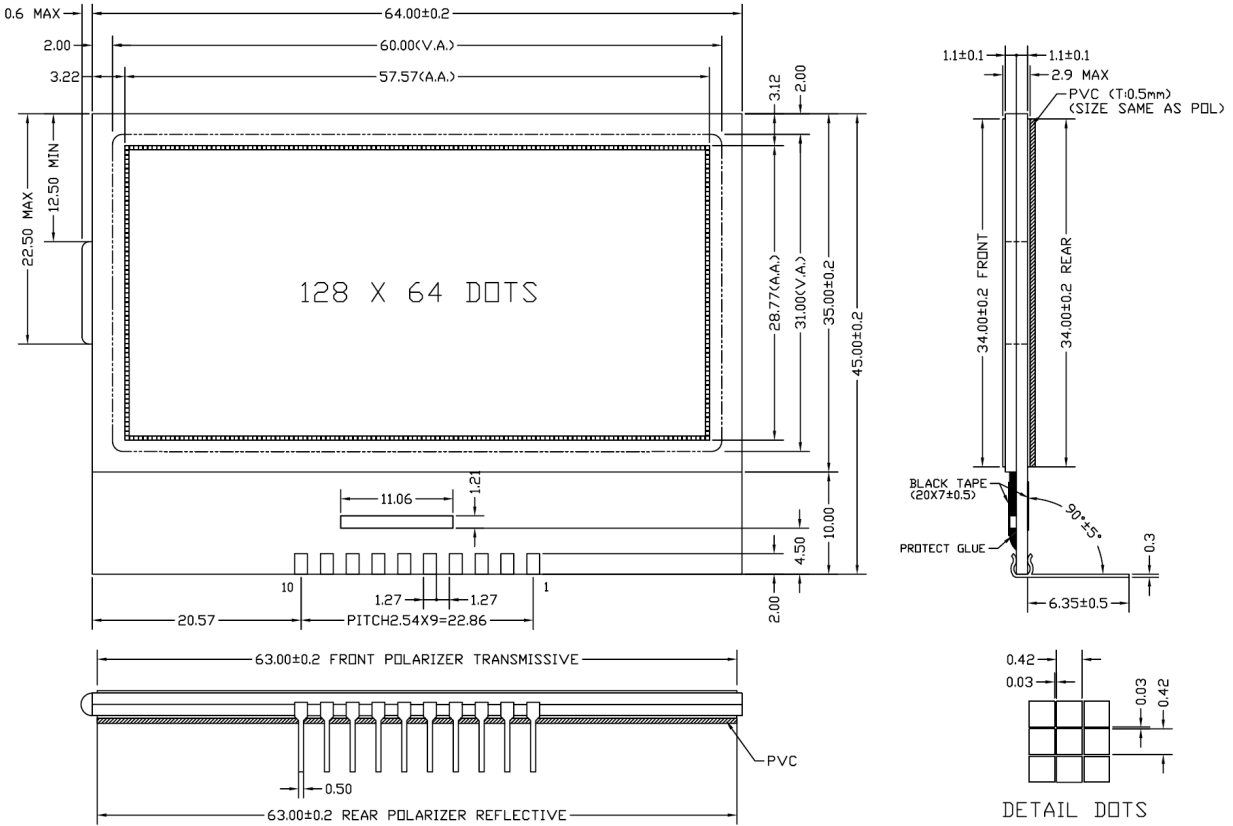
### Backlight Solder Pins (LED Only)

Pin No.	Symbol	Description
1	A1	LED 1 (Anode and Cathode Wire Leads)
2	K1	
3	A2	LED 2 (Anode and Cathode Wire Leads)
4	K2	

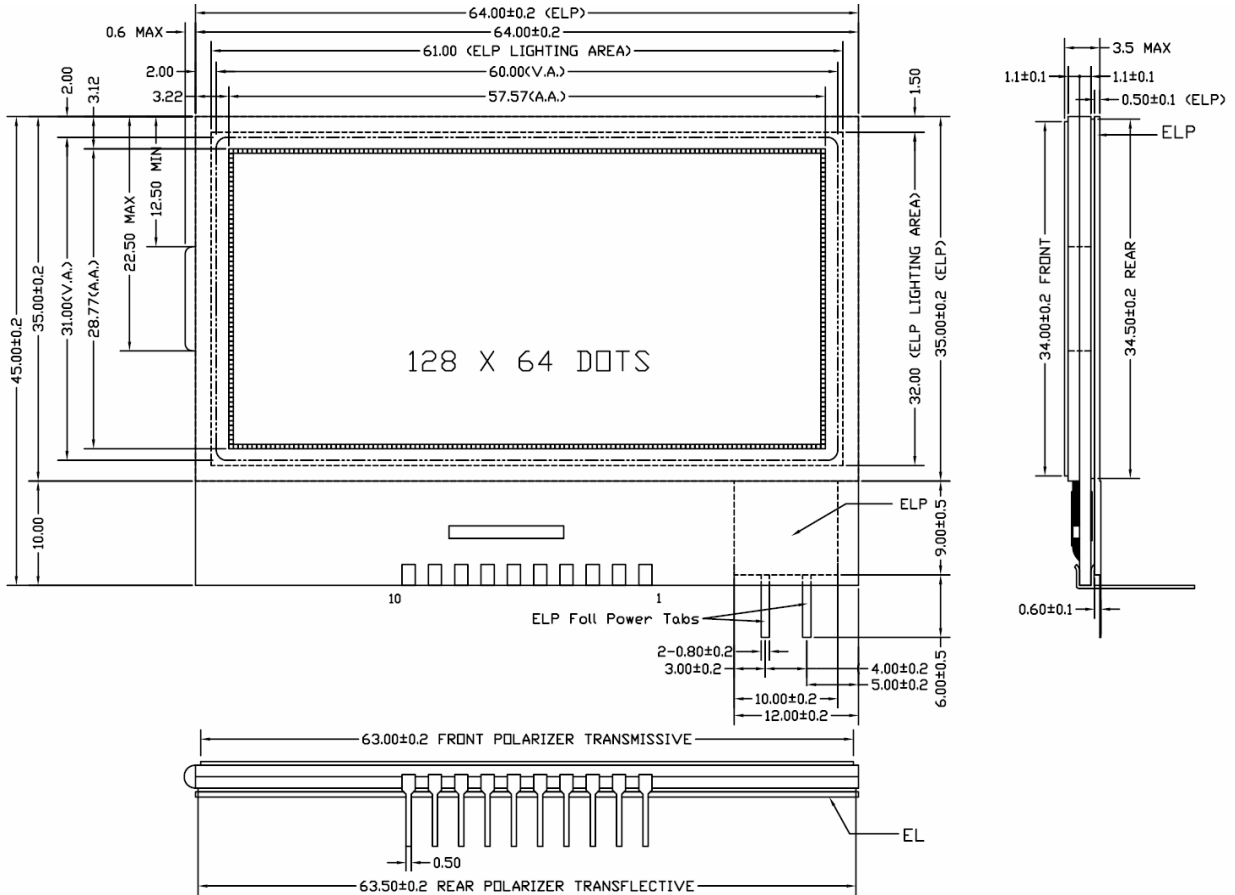
## 1.7 LCM Power, Contrast Control and Bias

- 1.7.1. Consult Solomon SSD-1805 Data Sheet for full operational details
- 1.7.2. Full initialization and basic data transfer source code available from Pacific Display Devices. Please contact your sales engineer.

**1.8 LCM Dimensions – No Backlight**



**1.9 LCM Dimensions – With Blue EL Panel Backlight**



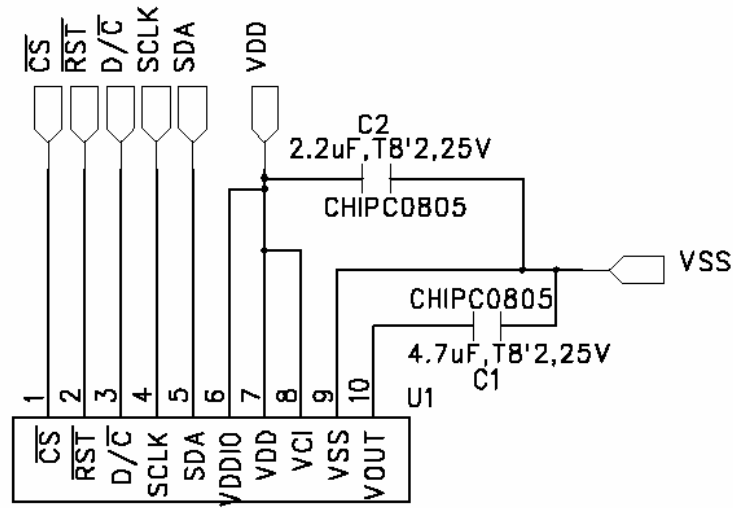








### 1.13 Controller Chip External Interconnection



### 1.14 Common and Segment Map



**2. ELECTRICAL / OPTICAL CHARACTERISTICS**

**2.1 DC Electrical Characteristics**

Parameter	Symbol	Condition	Min	Typ	Max	Unit	*Notes
Supply voltage for logic	V <sub>DD</sub>	---	1.8	---	3.6	V	
Supply current for logic	I <sub>DD</sub>	---	---	450	750	μA	
Operating voltage for LCD	V <sub>OP</sub>	0°C	---	---	---	V	1
		25°C	---	---	---		
		50°C	---	---	---		
Input voltage 'H' level	V <sub>IH</sub>	---	0.7 V <sub>DD</sub>	---	V <sub>DD</sub>		
Input voltage 'L' level	V <sub>IL</sub>	---	0	---	0.3 V <sub>DD</sub>		

\*Notes:

(1) Vop is designed to be internally supplied. Please refer to the software application notes provided by your Pacific Display sales engineer for the configuration of the internal charge pump and bias voltage.

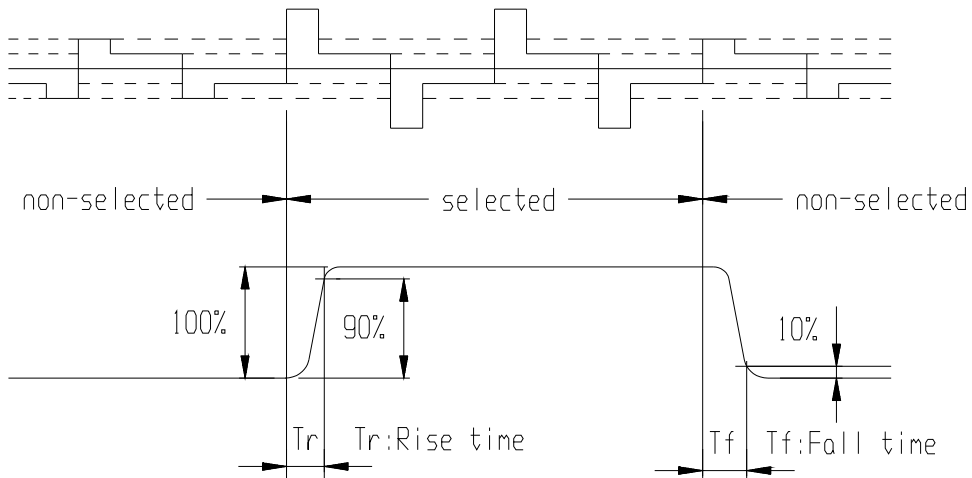
**2.2 AC Electrical Characteristics**

Consult Solomon SSD-1805 Data Sheet

2.3 Optical Characteristics

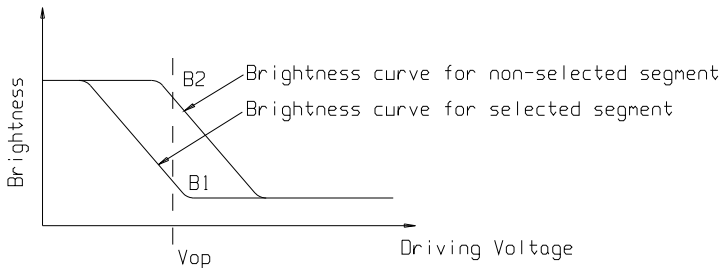
Item	Symbol	Condition	Min	Typ	Max	Unit	Remarks	Note
LCD Operating voltage	V <sub>OP</sub>	0°C	---	---	---	V	---	3
		25°C	---	12	---		---	
		50°C	---	---	---		---	
FSTN Response time	Tr	25°C	---	180	---	ms	---	1
	Tf	25°C	---	90	---		---	1
FSTN Contrast ratio	Cr	---	---	9.1	---	---	---	2
FSTN VA range	θ	Cr ≥ 5	39	---	---	deg	∅ = 90°	3
			35	---	---		∅ = 270°	3
			37	---	---		∅ = 0°	3
			36	---	---		∅ = 180°	3

Note1: Definition of response time.

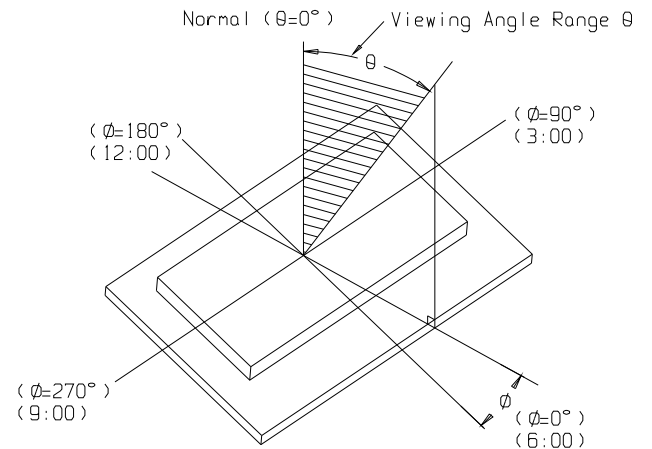


Note2: Definition of contrast ratio 'Cr'

$$Cr = \frac{\text{Brightness of non-selected segment}(B2)}{\text{Brightness of selected segment}(B1)}$$



Note3: Definition of viewing angle range 'θ'.



Note 3: The operating voltage is generated internally. Please refer to the software application notes provided by your Pacific Display sales engineer for the configuration of the internal charge pump and bias voltage..

## 2.4 EL Panel Backlight Characteristics (Blue)

### ■ Blue EL Panel Operating Characteristics:

Item	Conditions	Standard			Unit
		Min.	Typ.	Max.	
EL Color Wavelength	---	X: 0.18±0.02; Y: 0.41±0.02			
EL Color	---	BLUE			
Current Consumption	100VAC RMS, 400Hz Ta: 25°C	---	0.2	--	mA/cm <sup>2</sup>
EL Drive Voltage	---	---	100	150	VAC RMS
EL Drive Frequency	---	---	400	1000	Hz
Operating Temperature	---	-20°C	---	+70°C	°C
Storage Temperature	---	-40°C	---	+80°C	°C
Luminance	100VAC RMS, 400Hz	---	30	---	cd/m <sup>2</sup>
Luminance Half-Life	Ta: 25°C	3500	---	---	Hrs

\*Note: half life is defined as Luminance being reduced by 50%

## 2.5 LED Backlight Characteristics

Please note that the LED backlights are (2) independent discreet LEDs mounted onto the LCD Diffuser Assy. The Mfg data sheets for these LEDs are available on request from PDD.

### ■ Blue LED Operating Characteristics (Edge Lit)

Mfg: AOT / P/N: AELBU-D (or Equivalent)						
Item	Symbol	Conditions	Standard			Unit
			Min.	Typ.	Max.	
Forward voltage	V <sub>f</sub>	Each LED	---	3.1	---	VDC
Forward Current	I <sub>F</sub>	Each LED	---	20	30	mA
Reverse Voltage	V <sub>R</sub>	Each LED	---	1.2	---	V
Peak Emission Wavelength	λ <sub>P</sub>	If=240mA	---	570	---	nm
Life		Ta= 25 °C	35,000	---	---	Hrs

### ■ White LED Operating Characteristics (Edge Lit)

Mfg: Nichia Corporation / P/N: NESW008CT (or Equivalent)						
Item	Symbol	Conditions	Standard			Unit
			Min.	Typ.	Max.	
Forward voltage	V <sub>f</sub>	Each LED	---	3.2	3.5	VDC
Forward Current	I <sub>F</sub>	Each LED	---	20	30	mA
Reverse Voltage	V <sub>R</sub>	Each LED	---	5.0	---	V
Chromaticity Coordinate	x	If=20mA	---	0.31	---	
	y		---	0.32	---	
Life		Ta= 25 °C	20,000			Hrs

## 3. LCD CONTROLLER CHARACTERISTICS

### 3.1 Operating Principals and Methods (SSD-1805)

Consult Solomon SSD-1805 Data Sheet

**4. RELIABILITY**

<b>Environmental Test</b>				
<b>No</b>	<b>Test Item</b>	<b>Content of Test</b>	<b>Test Condition</b>	<b>Applicable Standard</b>
1	High temperature storage	Endurance test applying the high storage temperature for a long time.	60 °C 200 hrs	-----
2	Low temperature storage	Endurance test applying the low storage temperature for a long time.	-10 °C 200 hrs	-----
3	High temperature operation	Endurance test applying the electric stress (Voltage & Current) and the thermal stress to the element for a long time.	50 °C 200 hrs	-----
4	Low temperature operation	Endurance test applying the electric stress under low temperature for a long time.	0 °C 200 hrs	-----
5	High temperature / Humidity storage	Endurance test applying the high temperature and high humidity storage for a long time.	60 °C , 90 %RH 96 hrs	MIL-202E-103B JIS-C5023
6	High temperature / Humidity operation	Endurance test applying the electric stress (Voltage & Current) and temperature / humidity stress to the element for a long time.	40 °C , 90 %RH 96 hrs	MIL-202E-103B JIS-C5023
7	Temperature cycle	Endurance test applying the low and high temperature cycle.  $\begin{matrix} -20^{\circ}\text{C} & \rightleftharpoons & 25^{\circ}\text{C} & \rightleftharpoons & 70^{\circ}\text{C} \\ 30\text{min} & \rightleftharpoons & 5\text{min.} & \rightleftharpoons & 30\text{min} \\ \longleftarrow & & & & \longrightarrow \\ & & & & \text{1 cycle} \end{matrix}$	-10°C / 60°C 10 cycles	-----
<b>Mechanical Test</b>				
8	Vibration test	Endurance test applying the vibration during transportation and using.	10~22Hz → 1.5mmp-p 22~500Hz → 1.5G Total 0.5hrs	MIL-202E-201A JIS-C5025 JIS-C7022-A-10
9	Shock test	Constructional and mechanical endurance test applying the shock during transportation.	50G Half sign wave 11 msdc 3 times of each direction	MIL-202E-213B
10	Atmospheric pressure test	Endurance test applying the atmospheric pressure during transportation by air.	115 mbar 40 hrs	MIL-202E-105C
<b>Others</b>				
11	Static electricity test	Endurance test applying the electric stress to the terminal.	VS=800V , RS=1.5 kΩ CS=100 pF 1 time	MIL-883B-3015.1

\*\*\* Supply voltage for logic system = VDD. Supply voltage for LCD system = Operating voltage at 25°C

**■ LCD Panel Service Life**

**Definition of panel service life**

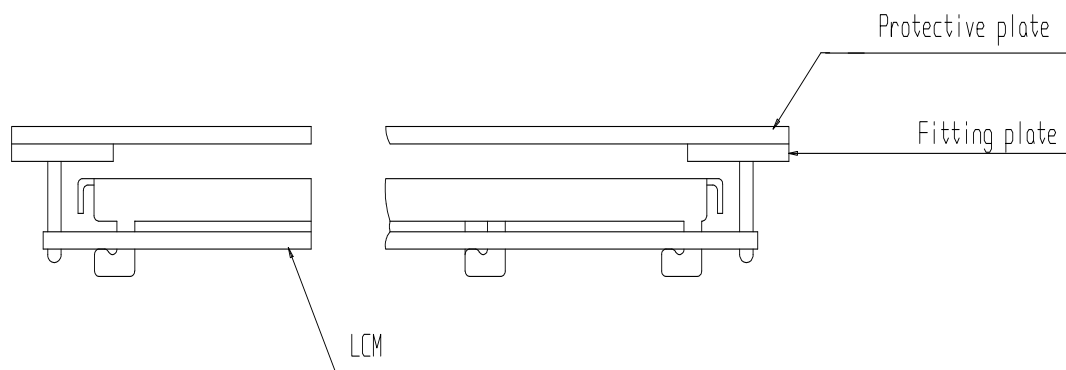
- 100,000 hours minimum at 25° C ±10%
- Contrast becomes 30% of initial value
- Current consumption becomes three times higher than initial value
- Remarkable alignment deterioration occurs in LCD cell layer
- Unusual operation occurs in display functions

## 5. PRECAUTIONS FOR USING LCD MODULES

### Installing LCD Modules

The hole in the printed circuit board is used to fix LCM as shown in the picture below. Attend to the following items when installing the LCM.

- 1) Cover the surface with a transparent protective plate to protect the polarizer and LC cell.



- 2) When assembling the LCM into other equipment, the spacer to the bit between the LCM and the fitting plate should have enough height to avoid causing stress to the module surface, refer to the individual specifications for measurements. The measurement tolerance should be  $\pm 0.1$  mm.

### Precaution for Handling LCD Modules

Since LCM has been assembled and adjusted with a high degree of precision, avoid applying excessive shocks to the module or making any alterations or modifications to it.

- 1) Cover the surface with a transparent protective plate to protect the polarizer and LC cell.
- 2) Do not alter, modify or change the shape of the tab on the metal frame.
- 3) Do not make extra holes on the printed circuit board, modify its shape or change the positions of components to be attached.
- 4) Do not damage or modify the pattern writing on the printed circuit board.
- 5) Absolutely do not modify the zebra rubber strip (conductive rubber) or heat seal connector.
- 6) Except for soldering the interface, do not make any alterations or modifications with a soldering iron.
- 7) Do not drop, bend or twist LCM.

### Electro-Static Discharge Control

Since this module uses a CMOS LSI, the same careful attention should be paid to electrostatic discharge as for an ordinary CMOS IC.

- 1) Make certain that you are grounded when handling LCM.
- 2) Before remove LCM from its packing case or incorporating it into a set, be sure the module and your body have the same electric potential.
- 3) When soldering the terminal of LCM, make certain the AC power source for the soldering iron does not leak.
- 4) When using an electric screwdriver to attach LCM, the screwdriver should be of ground potentiality to minimize as much as possible any transmission of electromagnetic waves produced sparks coming from the commutator of the motor.
- 5) As far as possible make the electric potential of your work clothes and that of the work bench the ground potential.
- 6) To reduce the generation of static electricity be careful that the air in the work is not too dried. A relative humidity of 50%-60% is recommended.

### Precaution for soldering to the LCM

- 1) Observe the following when soldering lead wire, connector cable and etc. to the LCM.
  - a) Soldering iron temperature :  $280^{\circ}\text{C} \pm 10^{\circ}\text{C}$ .
  - b) Soldering time : 3-4 sec.
- 2) Solder : eutectic solder.

- 3) If soldering flux is used, be sure to remove any remaining flux after finishing to soldering operation. (This does not apply in the case of a non-halogen type of flux.) It is recommended that you protect the LCD surface with a cover during soldering to prevent any damage due to flux spatters.
- 4) When soldering the electroluminescent panel and PC board, the panel and board should not be detached more than three times. This maximum number is determined by the temperature and time conditions mentioned above, though there may be some variance depending on the temperature of the soldering iron.
- 5) When remove the electroluminescent panel from the PC board, be sure the solder has completely melted, the soldered pad on the PC board could be damaged.

### **Precautions for Operation**

- 1) Viewing angle varies with the change of liquid crystal driving voltage (VO). Adjust VO to show the best contrast.
- 2) Driving the LCD in the voltage above the limit shortens its life.
- 3) Response time is greatly delayed at temperature below the operating temperature range. However, this does not mean the LCD will be out of the order. It will recover when it returns to the specified temperature range.
- 4) If the display area is pushed hard during operation, the display will become abnormal. However, it will return to normal if it is turned off and then back on.

### **Safety**

- If the LCD panel breaks, be careful not to get the liquid crystal in your mouth. If the liquid crystal touches your skin or clothes, wash it off immediately using soap and plenty of water.

### **Handling**

- The display panel is made of glass. Do not subject it to a mechanical shock by dropping it or impact.
- If the display panel is damaged and the liquid crystal substance leaks out, be sure not to get any in your mouth. If the substance contacts your skin or clothes, wash it off using soap and water.
- Do not apply excessive force to the display surface or the adjoining areas since this may cause the color tone to vary.
- The polarizer covering the display surface of the LCD module is soft and easily scratched. Handle this polarizer carefully.
- If the display surface becomes contaminated, breathe on the surface and gently wipe it with a soft dry cloth. If it is heavily contaminated, moisten cloth with one of the following solvents :
  - Isopropyl alcohol
  - Ethyl alcohol
- Solvents other than those above-mentioned may damage the polarizer. Especially, do not use the following.
  - Water
  - Ketone
  - Aromatic solvents
- Exercise care to minimize corrosion of the electrode. Corrosion of the electrodes is accelerated by water droplets, moisture condensation or a current flow in a high-humidity environment.
- Install the LCD Module by using the mounting holes. When mounting the LCD module make sure it is free of twisting, warping and distortion. In particular, do not forcibly pull or bend the I/O cable or the backlight cable.
- Do not attempt to disassemble or process the LCD module.
- NC terminal should be open. Do not connect anything.
- If the logic circuit power is off, do not apply the input signals.
- To prevent destruction of the elements by static electricity, be careful to maintain an optimum work environment.
  - Be sure to ground the body when handling the LCD modules.
  - Tools required for assembling, such as soldering irons, must be properly grounded.
  - To reduce the amount of static electricity generated, do not conduct assembling and other work under dry conditions.
  - The LCD module is coated with a film to protect the display surface. Exercise care when peeling off this protective film since static electricity may be generated.

**Storage**

- When storing the LCD modules, avoid exposure to direct sunlight or to the light of fluorescent lamps
- Store the module in a dark place where the temperature is  $25^{\circ}\text{C} \pm 10^{\circ}\text{C}$  and the humidity below 65% RH.
- Do not store the module near organic solvents or corrosive gases.
- Do not crush, shake, or jolt the module (including accessories).

**Cleaning**

- Do not wipe the polarizing plate with a dry cloth, as it may scratch the surface.
- Wipe the module gently with soft cloth soaked with a petroleum benzene.
- Do not use ketonic solvents (ketone and acetone) or aromatic solvents (toluene and xylene), as they may damage the polarizing plate.

**Others:**

- Liquid crystals solidify under low temperature (below the storage temperature range) leading to defective orientation or the generation of air bubbles (black or white). Air bubbles may also be generated if the module is subject to a low temperature.
- If the LCD modules have been operating for a long time showing the same display patterns, the display patterns may remain on the screen as ghost images and a slight contrast irregularity may also appear. A normal operating status can be regained by suspending use for some time. It should be noted that this phenomenon does not adversely affect performance reliability.
- To minimize the performance degradation of the LCD modules resulting from destruction caused by static electricity etc., exercise care to avoid holding the following sections when handling the modules.
  - Exposed area of the printed circuit board.
  - Terminal electrode sections.