

**Technical Document**

- [FAQs](#)
- [Application Note](#)

**Features**

- Operating voltage: 2.7V~5.2V
- Built-in 32kHz RC oscillator
- External 32.768kHz crystal oscillator or 32kHz frequency source input
- Standby current: <math><1\mu\text{A}</math> at 3V, <math><2\mu\text{A}</math> at 5V
- Internal resistor type: 1/6 bias or 1/5 bias, 1/32 duty, and 1/16 duty
- Three selectable LCD frame frequencies: 64Hz, 89Hz or 170Hz
- Max. 128×32 patterns, 128 segments and 32 commons
- 144 segments and 16 commons selectable by command method
- Built-in bit-map display RAM: 4096 bits (=128×32 bits)
- Built-in internal resistor type bias generator
- Six-wire interface (four data wires)
- Eight kinds of time base/WDT selection
- Time base or WDT overflow output
- R/W address auto increment
- Built-in buzzer driver (2kHz/4kHz)
- Power down command reduces power consumption
- Software configuration feature
- Data mode and Command mode instructions
- Three data accessing modes
- Provides VLCD pin to adjust LCD operating voltage and max. VLCD voltage up to 7V
- Provides three kinds of bias current programming
- Control of TN-type and STN-type LCDs
- 208-pin QFP package

**Applications**

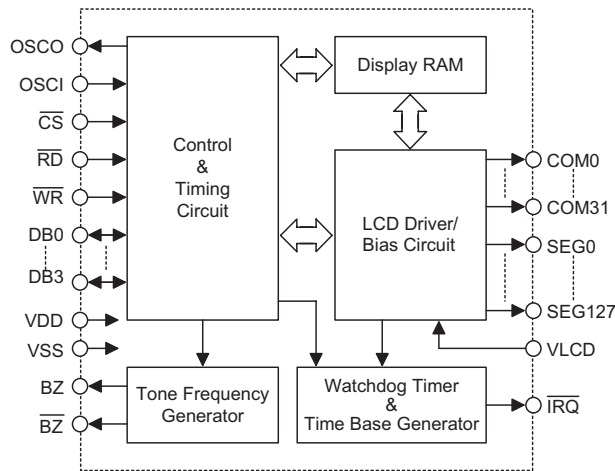
- Leisure products
- Games
- Personal digital assistant
- Cellular phone
- Global positioning system
- Consumer electronics

**General Description**

HT1670 is a peripheral device specially designed for I/O type MCU used to expand the display capability. The max. display segment of the device are 4096 patterns (128 segments and 32 commons). It also supports four data bits interface, buzzer sound, Watchdog Timer or time base timer functions. The HT1670 is a memory mapping and multi-function LCD controller. Since the

HT1670 can control TN-type (Twisted Nematic) or STN-type (Super Twisted Nematic) LCDs. The software configuration feature of the HT1670 make it suitable for multiple LCD applications including LCD modules and display subsystems. Only six lines (CS, WR, DB0~DB3) are required for the interface between the host controller and the HT1670.

**Block Diagram**

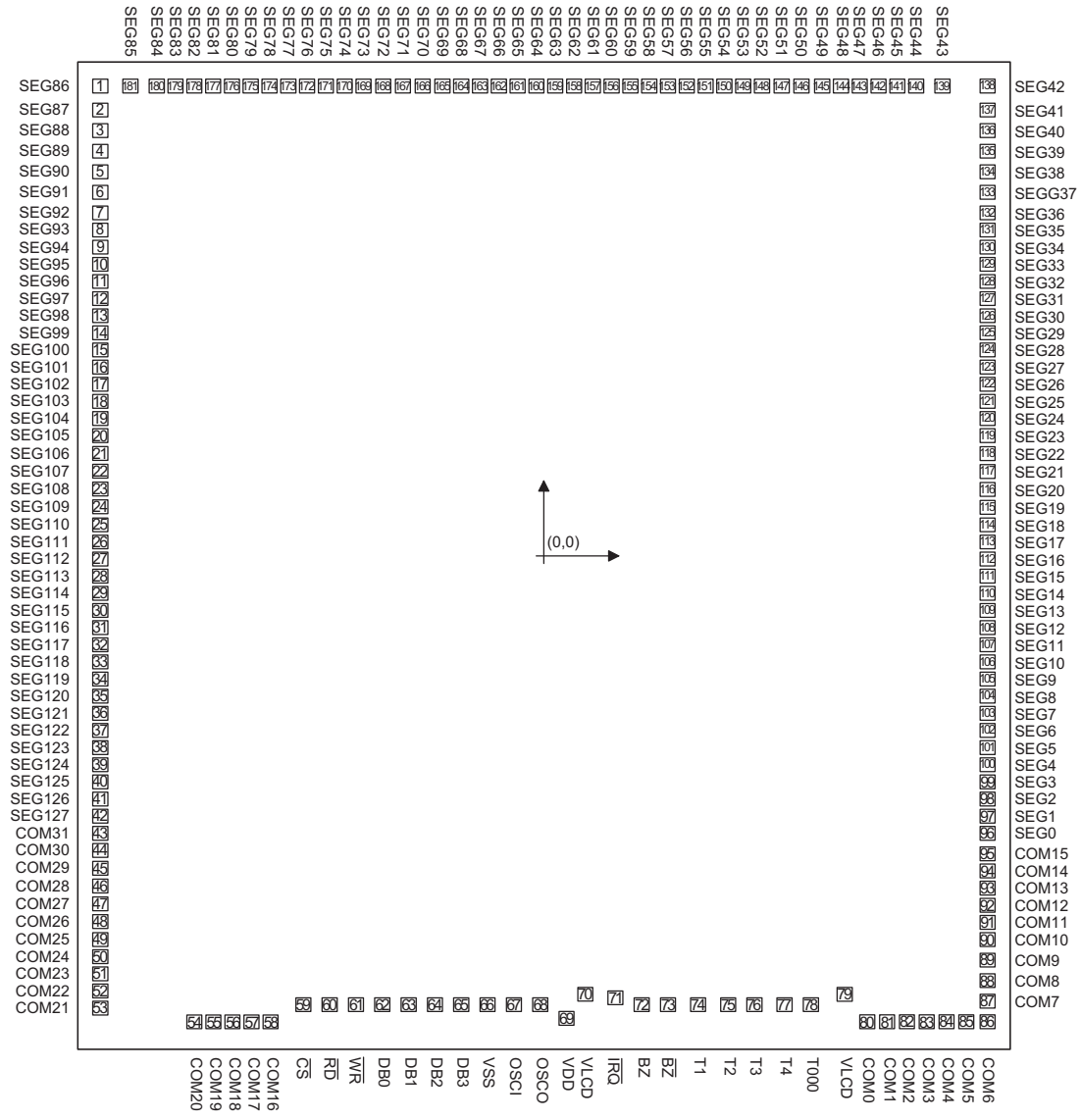


Note:  $\overline{CS}$ : Chip selection  
 BZ,  $\overline{BZ}$ : Tone outputs  
 WR, RD: WRITE clock, READ clock  
 DB0-DB3: Data bus  
 COM0-COM31, SEG0-SEG127: LCD outputs  
 IRQ: Time base or WDT overflow output

**Pin Assignment**

COM22	1	156	SEG84
COM21	2	155	SEG83
COM20	3	154	SEG82
COM19	4	153	SEG81
COM18	5	152	SEG80
COM17	6	151	SEG79
COM16	7	150	SEG78
NC	8	149	SEG77
NC	9	148	SEG76
NC	10	147	SEG75
NC	11	146	SEG74
NC	12	145	SEG73
NC	13	144	SEG72
NC	14	143	SEG71
NC	15	142	SEG70
NC	16	141	SEG69
$\overline{CS}$	17	140	SEG68
$\overline{RD}$	18	139	SEG67
$\overline{WR}$	19	138	SEG66
DB0	20	137	SEG65
DB1	21	136	SEG64
DB2	22	135	NC
DB3	23	134	NC
VSS	24	133	NC
OSCI	25	132	NC
OSCO	26	131	NC
VDD	27	130	NC
VLCD	28	129	NC
IRQ	29	128	NC
BZ	30	127	NC
$\overline{BZ}$	31	126	NC
T1	32	125	SEG63
T2	33	124	SEG62
T3	34	123	SEG61
T4	35	122	SEG60
T000	36	121	SEG59
VLCD	37	120	SEG58
NC	38	119	SEG57
NC	39	118	SEG56
NC	40	117	SEG55
NC	41	116	SEG54
NC	42	115	SEG53
NC	43	114	SEG52
NC	44	113	SEG51
NC	45	112	SEG50
COM0	46	111	SEG49
COM1	47	110	SEG48
COM2	48	109	SEG47
COM3	49	108	SEG46
COM4	50	107	SEG45
COM5	51	106	SEG44
COM6	52	105	SEG43
COM7	53	104	SEG42
COM8	54	103	SEG41
COM9	55	102	SEG40
COM10	56	101	SEG39
COM11	57	100	SEG38
COM12	58	99	SEG37
COM13	59	98	SEG36
COM14	60	97	SEG35
COM15	61	96	SEG34
SEG1	62	95	SEG33
SEG2	63	94	SEG32
SEG3	64	93	SEG31
SEG4	65	92	SEG30
SEG5	66	91	SEG29
SEG6	67	90	SEG28
SEG7	68	89	SEG27
SEG8	69	88	SEG26
SEG9	70	87	SEG25
SEG10	71	86	SEG24
SEG11	72	85	SEG23
SEG12	73	84	SEG22
SEG13	74	83	SEG21
SEG14	75	82	SEG20
SEG15	76	81	SEG19
SEG16	77	80	SEG18
SEG17	78	79	SEG17
SEG18	79	78	SEG16
SEG19	80	77	SEG15
SEG20	81	76	SEG14
SEG21	82	75	SEG13
SEG22	83	74	SEG12
SEG23	84	73	SEG11
SEG24	85	72	SEG10
SEG25	86	71	SEG9
SEG26	87	70	SEG8
SEG27	88	69	SEG7
SEG28	89	68	SEG6
SEG29	90	67	SEG5
SEG30	91	66	SEG4
SEG31	92	65	SEG3
SEG32	93	64	SEG2
SEG33	94	63	SEG1
SEG34	95	62	SEG0
SEG35	96	61	SEG0
SEG36	97	60	SEG0
SEG37	98	59	SEG0
SEG38	99	58	SEG0
SEG39	100	57	SEG0
SEG40	101	56	SEG0
SEG41	102	55	SEG0
SEG42	103	54	SEG0
SEG43	104	53	SEG0

**HT1670**  
 - 208 QFP-A

**Pad Assignment**


\* The IC substrate should be connected to VSS in the PCB layout artwork.

**Pad Coordinates**

Unit: μm

Pad No.	X	Y	Pad No.	X	Y	Pad No.	X	Y
1	-2343.20	2715.30	62	-848.60	-2594.80	123	2343.05	1090.25
2	-2343.20	2581.20	63	-713.20	-2594.80	124	2343.05	1190.25
3	-2343.20	2461.20	64	-567.90	-2594.80	125	2343.05	1290.25
4	-2343.20	2341.20	65	-432.30	-2594.80	126	2343.05	1390.25
5	-2343.20	2221.20	66	-290.20	-2594.90	127	2343.05	1490.25
6	-2343.20	2101.20	67	-156.70	-2599.30	128	2343.05	1590.25
7	-2343.20	1990.25	68	-18.50	-2599.30	129	2343.05	1690.25
8	-2343.20	1890.25	69	119.80	-2666.95	130	2343.05	1790.25
9	-2343.20	1790.25	70	209.15	-2531.95	131	2343.05	1890.25

Pad No.	X	Y	Pad No.	X	Y	Pad No.	X	Y
10	-2343.20	1690.25	71	378.85	-2553.20	132	2343.05	1990.25
11	-2343.20	1590.25	72	525.35	-2594.90	133	2343.05	2101.20
12	-2343.20	1490.25	73	660.75	-2594.90	134	2343.05	2221.20
13	-2343.20	1390.25	74	820.45	-2594.90	135	2343.05	2341.20
14	-2343.20	1290.25	75	968.65	-2594.90	136	2343.05	2461.20
15	-2343.20	1190.25	76	1115.65	-2594.90	137	2343.05	2581.20
16	-2343.20	1090.25	77	1263.85	-2594.90	138	2343.05	2715.30
17	-2343.20	990.25	78	1410.85	-2594.90	139	2095.70	2715.30
18	-2343.20	890.25	79	1581.55	-2531.90	140	1959.25	2715.30
19	-2343.20	790.25	80	1707.05	-2702.70	141	1859.25	2715.30
20	-2343.20	690.25	81	1807.05	-2702.70	142	1759.25	2715.30
21	-2343.20	590.25	82	1907.05	-2702.70	143	1659.25	2715.30
22	-2343.20	490.25	83	2013.05	-2702.70	144	1559.25	2715.30
23	-2343.20	390.25	84	2123.05	-2702.70	145	1459.25	2715.30
24	-2343.20	290.25	85	2233.05	-2702.70	146	1359.25	2715.30
25	-2343.20	190.25	86	2343.05	-2702.70	147	1259.25	2715.30
26	-2343.20	90.25	87	2343.05	-2571.70	148	1159.25	2715.30
27	-2343.20	-9.75	88	2343.05	-2451.70	149	1059.25	2715.30
28	-2343.20	-109.75	89	2343.05	-2331.70	150	959.25	2715.30
29	-2343.20	-209.75	90	2343.05	-2215.05	151	859.25	2715.30
30	-2343.20	-309.75	91	2343.05	-2115.05	152	759.25	2715.30
31	-2343.20	-409.75	92	2343.05	-2015.05	153	659.25	2715.30
32	-2343.20	-509.75	93	2343.05	-1915.05	154	559.25	2715.30
33	-2343.20	-609.75	94	2343.05	-1815.05	155	459.25	2715.30
34	-2343.20	-709.75	95	2343.05	-1715.05	156	359.25	2715.30
35	-2343.20	-809.75	96	2343.05	-1609.75	157	259.25	2715.30
36	-2343.20	-909.75	97	2343.05	-1509.75	158	159.25	2715.30
37	-2343.20	-1009.75	98	2343.05	-1409.75	159	59.25	2715.30
38	-2343.20	-1109.75	99	2343.05	-1309.75	160	-40.75	2715.30
39	-2343.20	-1209.75	100	2343.05	-1209.75	161	-140.75	2715.30
40	-2343.20	-1309.75	101	2343.05	-1109.75	162	-240.75	2715.30
41	-2343.20	-1409.75	102	2343.05	-1009.75	163	-340.75	2715.30
42	-2343.20	-1509.75	103	2343.05	-909.75	164	-440.75	2715.30
43	-2343.20	-1609.75	104	2343.05	-809.75	165	-540.75	2715.30
44	-2343.20	-1709.75	105	2343.05	-709.75	166	-640.75	2715.30
45	-2343.20	-1809.75	106	2343.05	-609.75	167	-740.75	2715.30
46	-2343.20	-1909.75	107	2343.05	-509.75	168	-840.75	2715.30
47	-2343.20	-2009.75	108	2343.05	-409.75	169	-940.75	2715.30
48	-2343.20	-2109.75	109	2343.05	-309.75	170	-1040.75	2715.30
49	-2343.20	-2209.75	110	2343.05	-209.75	171	-1140.75	2715.30
50	-2343.20	-2309.75	111	2343.05	-109.75	172	-1240.75	2715.30
51	-2343.20	-2409.75	112	2343.05	-9.75	173	-1340.75	2715.30
52	-2343.20	-2509.75	113	2343.05	90.25	174	-1440.75	2715.30
53	-2343.20	-2609.75	114	2343.05	190.25	175	-1540.75	2715.30
54	-1850.15	-2702.70	115	2343.05	290.25	176	-1640.75	2715.30
55	-1750.15	-2702.70	116	2343.05	390.25	177	-1740.75	2715.30
56	-1650.15	-2702.70	117	2343.05	490.25	178	-1840.75	2715.30
57	-1550.15	-2702.70	118	2343.05	590.25	179	-1940.75	2715.30
58	-1450.15	-2702.70	119	2343.05	690.25	180	-2040.75	2715.30
59	-1273.50	-2594.80	120	2343.05	790.25	181	-2173.20	2715.30
60	-1130.90	-2594.80	121	2343.05	890.25			
61	-995.50	-2594.80	122	2343.05	990.25			

**Pad Description**

Pad No.	Pad Name	I/O	Description
1~42 96~181	SEG86~SEG127 SEG0~SEG85	O	LCD segment outputs
43~58 80~95	COM31~COM16 COM0~COM15	O	LCD common outputs, under 144×16 command mode, COM16~COM31 will share to SEG128~SEG143. COM31/SEG128, COM30/SEG129, COM29/SEG130....., COM18/SEG141, COM17/SEG142, COM16/SEG143
59	$\overline{CS}$	I	Chip selection input with pull-high resistor. When the $\overline{CS}$ is logic high, the data and command read from or write to the HT1670 are disabled. The serial interface circuit is also reset. But if the $\overline{CS}$ is at a logic low level and is input to the $\overline{CS}$ pad, the data and command transmission between the host controller and the HT1670 are all enabled.
60	$\overline{RD}$	I	READ clock input with pull-high resistor. Data in the RAM of the HT1670 are clocked out on the falling edge of the $\overline{RD}$ signal. The clocked out data will appear on the data line. The host controller can use the next rising edge to latch the clocked out data.
61	$\overline{WR}$	I	WRITE clock input with pull-high resistor. Data on the DATA line are latched into the HT1670 on the rising edge of the $\overline{WR}$ signal.
62~65	DB0~DB3	I/O	Parallel data input/output with a pull-high resistor
66	VSS	—	Negative power supply for logic circuit, ground
67 68	OSCI OSCO	I O	The OSCI and OSCO pads are connected to a 32.768kHz crystal in order to generate a system clock. If the system clock comes from an external clock source, the external clock source should be connected to the OSCI pad. But if an on-chip RC oscillator is selected, the OSCI and OSCO pads can be left open.
69	VDD	—	Positive power supply for logic circuit
70, 79	VLCD	I	Power supply for LCD driver circuit
71	$\overline{IRQ}$	O	Time base or Watchdog Timer overflow flag, NMOS open drain output.
72, 73	BZ, $\overline{BZ}$	O	2kHz or 4kHz frequency output pair (tristate output buffer)
74~78	T1~T4, T000	I	Vary bias current pin It is usually not connected

**Absolute Maximum Ratings**

Supply Voltage ..... $V_{SS}-0.3V$  to  $V_{SS}+5.5V$       Storage Temperature ..... $-50^{\circ}C$  to  $125^{\circ}C$   
 Input Voltage ..... $V_{SS}-0.3V$  to  $V_{DD}+0.3V$       Operating Temperature ..... $-25^{\circ}C$  to  $75^{\circ}C$

Note: These are stress ratings only. Stresses exceeding the range specified under "Absolute Maximum Ratings" may cause substantial damage to the device. Functional operation of this device at other conditions beyond those listed in the specification is not implied and prolonged exposure to extreme conditions may affect device reliability.

**D.C. Characteristics**

Ta=25°C

Symbol	Parameter	Test Conditions		Min.	Typ.	Max.	Unit
		V <sub>DD</sub>	Conditions				
V <sub>DD</sub>	Operating Voltage	—	—	2.7	—	5.2	V
I <sub>DD1</sub>	Operating Current	3V	No load/LCD ON	—	150	250	μA
		5V	On-chip RC oscillator	—	250	370	μA
I <sub>DD2</sub>	Operating Current	3V	No load/LCD ON	—	135	200	μA
		5V	Crystal oscillator	—	200	300	μA
I <sub>DD11</sub>	Operating Current	3V	No load/LCD OFF	—	15	30	μA
		5V	On-chip RC oscillator	—	50	70	μA
I <sub>DD22</sub>	Operating Current	3V	No load/LCD OFF	—	2	10	μA
		5V	Crystal oscillator	—	3	10	μA
I <sub>STB</sub>	Standby Current	3V	No load, Power down mode	—	—	1	μA
		5V		—	—	2	μA
V <sub>IL</sub>	Input Low Voltage	3V	DB0~DB3, $\overline{WR}$ , $\overline{CS}$ , $\overline{RD}$	0	—	0.6	V
		5V		0	—	1.0	V
V <sub>IH</sub>	Input High Voltage	3V	DB0~DB3, $\overline{WR}$ , $\overline{CS}$ , $\overline{RD}$	2.4	—	3	V
		5V		4.0	—	5	V
I <sub>OL1</sub>	BZ, $\overline{BZ}$ , $\overline{IRQ}$ Sink Current	3V	V <sub>OL</sub> =0.3V	1.2	2.5	—	mA
		5V	V <sub>OL</sub> =0.5V	3	6	—	mA
I <sub>OH1</sub>	BZ, $\overline{BZ}$ Source Current	3V	V <sub>OH</sub> =2.7V	-0.9	-1.8	—	mA
		5V	V <sub>OH</sub> =4.5V	-2	-4	—	mA
I <sub>OL2</sub>	DB0~DB3 Sink Current	3V	V <sub>OL</sub> =0.3V	1.2	2.5	—	mA
		5V	V <sub>OL</sub> =0.5V	3	6	—	mA
I <sub>OH2</sub>	DB0~DB3 Source Current	3V	V <sub>OH</sub> =2.7V	-0.9	-1.8	—	mA
		5V	V <sub>OH</sub> =4.5V	-2	-4	—	mA
I <sub>OL3</sub>	LCD Common Sink Current	3V	V <sub>OL</sub> =0.3V	80	160	—	μA
		5V	V <sub>OL</sub> =0.5V	180	360	—	μA
I <sub>OH3</sub>	LCD Common Source Current	3V	V <sub>OH</sub> =2.7V	-40	-80	—	μA
		5V	V <sub>OH</sub> =4.5V	-90	-180	—	μA
I <sub>OL4</sub>	LCD Segment Sink Current	3V	V <sub>OL</sub> =0.3V	50	100	—	μA
		5V	V <sub>OL</sub> =0.5V	120	240	—	μA
I <sub>OH4</sub>	LCD Segment Source Current	3V	V <sub>OH</sub> =2.7V	-30	-60	—	μA
		5V	V <sub>OH</sub> =4.5V	-70	-140	—	μA
R <sub>PH</sub>	Pull-high Resistor	3V	DB0~DB3, $\overline{WR}$ , $\overline{CS}$ , $\overline{RD}$	150	250	410	kΩ
		5V		60	125	210	kΩ

**A.C. Characteristics**

Ta=25°C

Symbol	Parameter	Test Conditions		Min.	Typ.	Max.	Unit
		V <sub>DD</sub>	Conditions				
f <sub>SYS1</sub>	System Clock	3V	On-chip RC oscillator	22	32	40	kHz
		5V		24	32	40	
f <sub>SYS2</sub>	System Clock	3V	Crystal oscillator	—	32.768	—	kHz
		5V		—	32.768	—	
f <sub>SYS3</sub>	System Clock	3V	External clock source	—	32	—	kHz
		5V		—	32	—	
f <sub>LCD1</sub>	LCD Frame Frequency	3V	On-chip RC oscillator	61/117	89/170	111/213	Hz
		5V		61/117	89/170	111/213	
f <sub>LCD2</sub>	LCD Frame Frequency	3V	Crystal oscillator	—	64	—	Hz
		5V		—	64	—	
f <sub>LCD3</sub>	LCD Frame Frequency	3V	External clock source	—	64	—	Hz
		5V		—	64	—	
t <sub>COM</sub>	LCD Common Period	—	n: Number of COM	—	n/f <sub>LCD</sub>	—	sec
f <sub>CLK1</sub>	4-Bit Data Clock ( $\overline{WR}$ Pin)	3V	Duty cycle 50%	—	—	150	kHz
		5V		—	—	300	
f <sub>CLK2</sub>	4-Bit Data Clock ( $\overline{RD}$ Pin)	3V	Duty cycle 50%	—	—	75	kHz
		5V		—	—	150	
t <sub>CS</sub>	4-Bit Interface Reset Pulse Width (Figure 3)	—	$\overline{CS}$	—	250	—	ns
t <sub>CLK</sub>	$\overline{WR}$ , $\overline{RD}$ Input Pulse Width (Figure 1)	3V	Write mode	3.34	—	—	μs
			Read mode	6.67			
		5V	Write mode	1.67	—	—	μs
			Read mode	3.34			
t <sub>r</sub> , t <sub>f</sub>	Rise/Fall Time Serial Data Clock Width (Figure 1)	3V	—	—	120	—	ns
		5V					
t <sub>su</sub>	Setup Time for DB to $\overline{WR}$ , $\overline{RD}$ Clock Width (Figure 2)	3V	—	—	120	—	ns
		5V					
t <sub>h</sub>	Hold Time for DB to $\overline{WR}$ , $\overline{RD}$ Clock Width (Figure 2)	3V	—	—	120	—	ns
		5V					
t <sub>su1</sub>	Setup Time for $\overline{CS}$ to $\overline{WR}$ , $\overline{RD}$ Clock Width (Figure 3)	3V	—	—	100	—	ns
		5V					
t <sub>h1</sub>	Hold Time for $\overline{CS}$ to $\overline{WR}$ , $\overline{RD}$ Clock Width (Figure 3)	3V	—	—	100	—	ns
		5V					

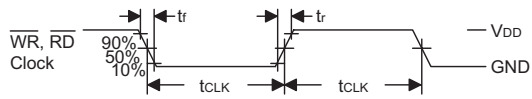


Figure 1

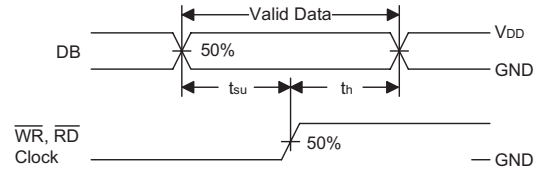


Figure 2

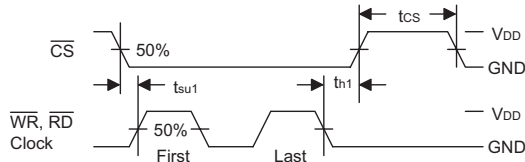


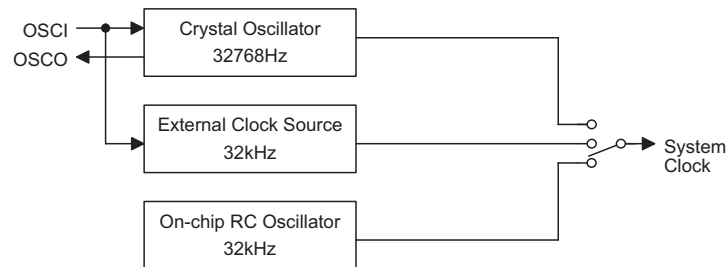
Figure 3

## Functional Description

### System Oscillator

The HT1670 system clock is used to generate the time base/Watchdog Timer (WDT) clock frequency, LCD driving clock, and tone frequency. The clock source may be from an on-chip RC oscillator (32kHz), a crystal oscillator (32.768kHz), or an external 32kHz clock by the S/W setting. The configuration of the system oscillator is as shown. After the SYS DIS command is executed, the system clock will stop and the LCD bias generator will turn off. That command is available only for the on-chip RC oscillator or for the crystal oscillator. Once the system clock stops, the LCD display will become blank, and the time base/WDT loses its function as well.

The LCD OFF command is used to turn the LCD bias generator off. After the LCD bias generator switches off by issuing the LCD OFF command, using the SYS DIS command reduces power consumption, thus serving as a system power down command. But if the external clock source is chosen as the system clock, using the SYS DIS command can neither turn the oscillator off nor carry out the power down mode. The crystal oscillator option can be applied to connect an external frequency source of 32kHz to the OSC1 pin. In this case, the system fails to enter the power down mode, similar to the case in the external 32kHz clock source operation. At the initial system power on, the HT1670 is at the SYS DIS state.



System Oscillator Configuration



**Display Memory – RAM Structure**

The static display RAM is organized into 1024×4 bits and stores the display data. The contents of the RAM are directly mapped to the contents of the LCD driver. Data in the RAM can be accessed by the READ, WRITE and READ-MODIFY-WRITE commands. The following is a mapping from the RAM to the LCD patterns.

	<b>00H</b>	<b>08H</b>	<b>10H</b>	<b>18H</b>	<b>20H - - - - - 3D8H</b>	<b>3E0H</b>	<b>3E8H</b>	<b>3F0H</b>	<b>3F8H</b>
<b>COM0</b>	Bit0	Bit0	Bit0				Bit0	Bit0	Bit0
<b>COM1</b>	Bit1	Bit1	Bit1				Bit1	Bit1	Bit1
<b>COM2</b>	Bit2	Bit2	Bit2				Bit2	Bit2	Bit2
<b>COM3</b>	Bit3	Bit3	Bit3				Bit3	Bit3	Bit3
	<b>01H</b>	<b>09H</b>	<b>11H</b>	<b>19H</b>	<b>21H - - - - - 3D9H</b>	<b>3E1H</b>	<b>3E9H</b>	<b>3F1H</b>	<b>3F9H</b>
<b>COM4</b>	Bit0	Bit0	Bit0				Bit0	Bit0	Bit0
<b>COM5</b>	Bit1	Bit1	Bit1				Bit1	Bit1	Bit1
<b>COM6</b>	Bit2	Bit2	Bit2				Bit2	Bit2	Bit2
<b>COM7</b>	Bit3	Bit3	Bit3				Bit3	Bit3	Bit3
	<b>02H</b>	<b>0AH</b>	<b>12H</b>	<b>1AH</b>	<b>22H - - - - - 3DAH</b>	<b>3E2H</b>	<b>3EAH</b>	<b>3F2H</b>	<b>3FAH</b>
<b>COM8</b>	Bit0	Bit0	Bit0				Bit0	Bit0	Bit0
<b>COM9</b>	Bit1	Bit1	Bit1				Bit1	Bit1	Bit1
<b>COM10</b>	Bit2	Bit2	Bit2				Bit2	Bit2	Bit2
<b>COM11</b>	Bit3	Bit3	Bit3				Bit3	Bit3	Bit3
	<b>03H</b>	<b>0BH</b>	<b>13H</b>	<b>1BH</b>	<b>23H - - - - - 3DBH</b>	<b>3E3H</b>	<b>3EBH</b>	<b>3F3H</b>	<b>3FBH</b>
<b>COM12</b>	Bit0	Bit0	Bit0				Bit0	Bit0	Bit0
<b>COM13</b>	Bit1	Bit1	Bit1				Bit1	Bit1	Bit1
<b>COM14</b>	Bit2	Bit2	Bit2				Bit2	Bit2	Bit2
<b>COM15</b>	Bit3	Bit3	Bit3				Bit3	Bit3	Bit3
	<b>04H</b>	<b>0CH</b>	<b>14H</b>	<b>1CH</b>	<b>24H - - - - - 3DCH</b>	<b>3E4H</b>	<b>3ECH</b>	<b>3F4H</b>	<b>3FCH</b>
<b>COM16</b>	Bit0	Bit0	Bit0				Bit0	Bit0	Bit0
<b>COM17</b>	Bit1	Bit1	Bit1				Bit1	Bit1	Bit1
<b>COM18</b>	Bit2	Bit2	Bit2				Bit2	Bit2	Bit2
<b>COM19</b>	Bit3	Bit3	Bit3				Bit3	Bit3	Bit3
	<b>05H</b>	<b>0DH</b>	<b>15H</b>	<b>1DH</b>	<b>25H - - - - - 3DDH</b>	<b>3E5H</b>	<b>3EDH</b>	<b>3F5H</b>	<b>3FDH</b>
<b>COM20</b>	Bit0	Bit0	Bit0				Bit0	Bit0	Bit0
<b>COM21</b>	Bit1	Bit1	Bit1				Bit1	Bit1	Bit1
<b>COM22</b>	Bit2	Bit2	Bit2				Bit2	Bit2	Bit2
<b>COM23</b>	Bit3	Bit3	Bit3				Bit3	Bit3	Bit3
	<b>06H</b>	<b>0EH</b>	<b>16H</b>	<b>1EH</b>	<b>26H - - - - - 3DEH</b>	<b>3E6H</b>	<b>3EEH</b>	<b>3F6H</b>	<b>3FEH</b>
<b>COM24</b>	Bit0	Bit0	Bit0				Bit0	Bit0	Bit0
<b>COM25</b>	Bit1	Bit1	Bit1				Bit1	Bit1	Bit1
<b>COM26</b>	Bit2	Bit2	Bit2				Bit2	Bit2	Bit2
<b>COM27</b>	Bit3	Bit3	Bit3				Bit3	Bit3	Bit3
	<b>07H</b>	<b>0FH</b>	<b>17H</b>	<b>1FH</b>	<b>27H - - - - - 3DFH</b>	<b>3E7H</b>	<b>3EFH</b>	<b>3F7H</b>	<b>3FFH</b>
<b>COM28</b>	Bit0	Bit0	Bit0				Bit0	Bit0	Bit0
<b>COM29</b>	Bit1	Bit1	Bit1				Bit1	Bit1	Bit1
<b>COM30</b>	Bit2	Bit2	Bit2				Bit2	Bit2	Bit2
<b>COM31</b>	Bit3	Bit3	Bit3				Bit3	Bit3	Bit3
	<b>SEG0</b>	<b>SEG1</b>	<b>SEG2</b>	<b>SEG3</b>		<b>SEG124</b>	<b>SEG125</b>	<b>SEG126</b>	<b>SEG127</b>

**128×32 Selection Mode RAM Mapping Table**

	<b>00H</b>	<b>04H</b>	<b>08H</b>	<b>0CH</b>	<b>10H - - - - - 22CH</b>	<b>230H</b>	<b>234H</b>	<b>238H</b>	<b>23CH</b>
<b>COM0</b>	Bit0	Bit0	Bit0				Bit0	Bit0	Bit0
<b>COM1</b>	Bit1	Bit1	Bit1				Bit1	Bit1	Bit1
<b>COM2</b>	Bit2	Bit2	Bit2				Bit2	Bit2	Bit2
<b>COM3</b>	Bit3	Bit3	Bit3				Bit3	Bit3	Bit3
	<b>01H</b>	<b>05H</b>	<b>09H</b>	<b>0DH</b>	<b>11H - - - - - 22DH</b>	<b>231H</b>	<b>235H</b>	<b>239H</b>	<b>23DH</b>
<b>COM4</b>	Bit0	Bit0	Bit0				Bit0	Bit0	Bit0
<b>COM5</b>	Bit1	Bit1	Bit1				Bit1	Bit1	Bit1
<b>COM6</b>	Bit2	Bit2	Bit2				Bit2	Bit2	Bit2
<b>COM7</b>	Bit3	Bit3	Bit3				Bit3	Bit3	Bit3
	<b>02H</b>	<b>06H</b>	<b>0AH</b>	<b>0EH</b>	<b>12H - - - - - 22EH</b>	<b>232H</b>	<b>236H</b>	<b>23AH</b>	<b>23EH</b>
<b>COM8</b>	Bit0	Bit0	Bit0				Bit0	Bit0	Bit0
<b>COM9</b>	Bit1	Bit1	Bit1				Bit1	Bit1	Bit1
<b>COM10</b>	Bit2	Bit2	Bit2				Bit2	Bit2	Bit2
<b>COM11</b>	Bit3	Bit3	Bit3				Bit3	Bit3	Bit3
	<b>03H</b>	<b>07H</b>	<b>0BH</b>	<b>0FH</b>	<b>13H - - - - - 22FH</b>	<b>233H</b>	<b>237H</b>	<b>23BH</b>	<b>23FH</b>
<b>COM12</b>	Bit0	Bit0	Bit0				Bit0	Bit0	Bit0
<b>COM13</b>	Bit1	Bit1	Bit1				Bit1	Bit1	Bit1
<b>COM14</b>	Bit2	Bit2	Bit2				Bit2	Bit2	Bit2
<b>COM15</b>	Bit3	Bit3	Bit3				Bit3	Bit3	Bit3
	<b>SEG0</b>	<b>SEG1</b>	<b>SEG2</b>	<b>SEG3</b>		<b>SEG140</b>	<b>SEG141</b>	<b>SEG142</b>	<b>SEG143</b>

**144×16 Selection Mode RAM Mapping Table**

Name	Command Code	Function
144×16 Mode	X100-0001-1111-XXXX	Change segment from 144 to 96 and common from 32 to 16
The default value after power ON reset is 128×32 mode, set "Normal" command will change 144×16 mode to 128×32 mode.		

**Frame Frequency**

HT1670 provides three kinds of frame frequency option by command code; 64Hz, 89Hz and 170Hz respectively. FRAME 64Hz provides 64Hz frame frequency. FRAME 89Hz provides 89Hz frame frequency. FRAME 170Hz provides 170Hz frame frequency.

Name	Command Code	Function
FRAME 170Hz	X100-0001-1000-XXXX	Select 170Hz frame frequency
FRAME 89Hz	X100-0001-1101-XXXX	Select 89Hz frame frequency
FRAME 64Hz	X100-0001-1110-XXXX	Select 64Hz frame frequency

**Frame Frequency Selection Command Code**
**Time Base and Watchdog Timer – WDT**

The time base generator and WDT share the same counter which is divided by 256. The  $\overline{IRQ}$  clock can be programmed as 1Hz, 2Hz, ..., 128Hz output. TIMER DIS/EN/CLR, WDT DIS/EN/CLR and  $\overline{IRQ}$  EN/DIS are independent from each other. Once the WDT time-out occurs, the  $\overline{IRQ}$  pin will remain at a logic low level until the CLR WDT or the  $\overline{IRQ}$  DIS command is issued.

If an external clock is selected as the system frequency source, the SYS DIS command turns out invalid and the power down mode fails to be carried out until the external clock source is removed.

**Buzzer Tone Output**

A simple tone generator is implemented in the HT1670. The tone generator can output a pair of differential driving signals on the BZ and  $\overline{BZ}$  which are used to generate a single tone.

By executing the TONE 4K and TONE 2K commands there are two tone frequency outputs selectable that can turn on the tone output. The TONE 4K and TONE 2K commands set the tone frequency to 4kHz and 2kHz, respectively. The tone output can be turned off by invoking the TONE OFF command. The tone outputs, namely BZ and  $\overline{BZ}$ , are a pair of differential driving outputs used to drive a piezo buzzer. Once the system is disabled or the tone output is inhibited, the BZ and the  $\overline{BZ}$  outputs will remain at low level.

**Command Format**

The HT1670 can be configured by software setting. There are two mode commands to configure the HT1670 resource and to transfer the LCD display data.

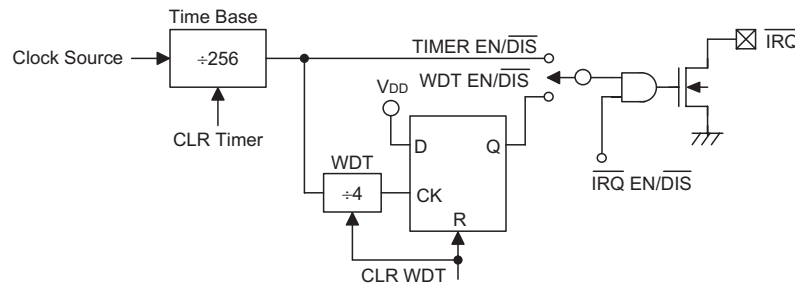
The configuration mode of the HT1670 is called command mode, and its command mode ID is 100. The command mode consists of a system configuration

command, a system frequency selection command, an LCD configuration command, a tone frequency selection command, a bias current selection command, a timer/WDT setting command, and an operating command. The data mode, on the other hand, includes READ, WRITE, and READ-MODIFY-WRITE operations.

The following are the data mode ID and the command mode ID:

Operation	Mode	ID
READ	Data	110
WRITE	Data	101
READ-MODIFY-WRITE	Data	101
COMMAND	Command	100

If successive commands have been issued, the command mode ID can be omitted. While the system is operating in the non-successive command or the non-successive address data mode, the  $\overline{CS}$  pin should be set to "1" and the previous operation mode will also be reset. The  $\overline{CS}$  pin returns to "0", so a new operation mode ID should be issued first.



**Time Base and WDT Configurations**

Name	Command Code	Function
TONE OFF	X100-0000-1000-XXXX	Turn-off tone output
TONE 4K	X100-0001-0000-XXXX	Turn-on tone output, tone frequency is 4kHz
TONE 2K	X100-0001-0001-XXXX	Turn-on tone output, tone frequency is 2kHz

**Buzzer Tone Output Command Code**

The following are the data mode ID and the command ID:

Operation	Mode	ID
READ	Data	110
WRITE	Data	101
READ-MODIFY-WRITE	Data	101
COMMAND	Command	100

If successive commands have been issued, the command mode ID can be omitted. While the system is operating in the non-successive address data mode, the  $\overline{CS}$  pin should be set 1 and the previous operation mode will also be reset. The  $\overline{CS}$  pin returns to 0, so a new operation mode ID should be issued first.

**Bias Generator**

The HT1670 bias voltage belongs to internal resistor type. It provides two kinds of bias option named 1/6 bias and 1/5 bias respectively. It also provides three kinds of bias current option by programming to suitably drive an LCD panel. The three kinds of bias current are large, middle, and small, respectively. Usually, large panel LCD can be excellently displayed by large bias current. Relatively, it consumes large current when LCD ON command is used. Small bias current provides low power consumption during on condition when the LCD is normally displayed. The following are the reference value table.

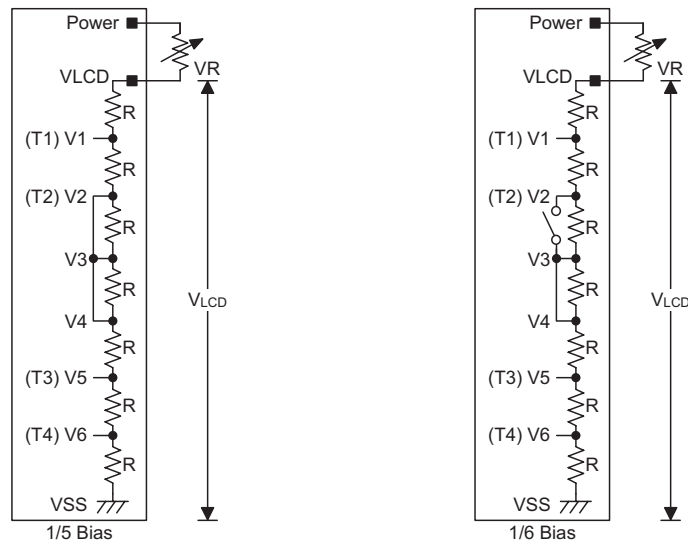
When the bias current for LCD is more than Large Bias Current setting. It is recommended to add external circuit to increase driving current.

**Interfacing**

Only six lines are required to interface with the HT1670. The CS line is used to initialize the serial interface circuit and to terminate the communication between the host controller and the HT1670. If the CS pin is set to 1, the

data and command issued between the host controller and the HT1670 are first disabled and then initialized. Before issuing a mode command or mode switching, a high level pulse is required to initialize the serial interface of the HT1670. The DB0~DB3 are the 4-bit parallel data input/output lines. Data to be read or written or commands to be written have to pass through the DB0~DB3 lines. The RD line is the READ clock input. Data in the RAM are clocked out on the falling edge of the RD signal, and the clocked out data will then appear on the DB0~DB3 lines. It is recommended that the host controller read correct data during the interval between the rising edge and the next falling edge of the RD signal. The WR line is the WRITE clock input. The data, address, and command on the DB0~DB3 lines are all clocked into the HT1670 on the rising edge of the WR signal. There is an optional IRQ line to be used as an interface between the host controller and the HT1670. The IRQ pin can be selected as a timer output or a WDT overflow flag output by the S/W setting. The host controller can perform the time base or the WDT function by connecting with the IRQ pin of the HT1670.

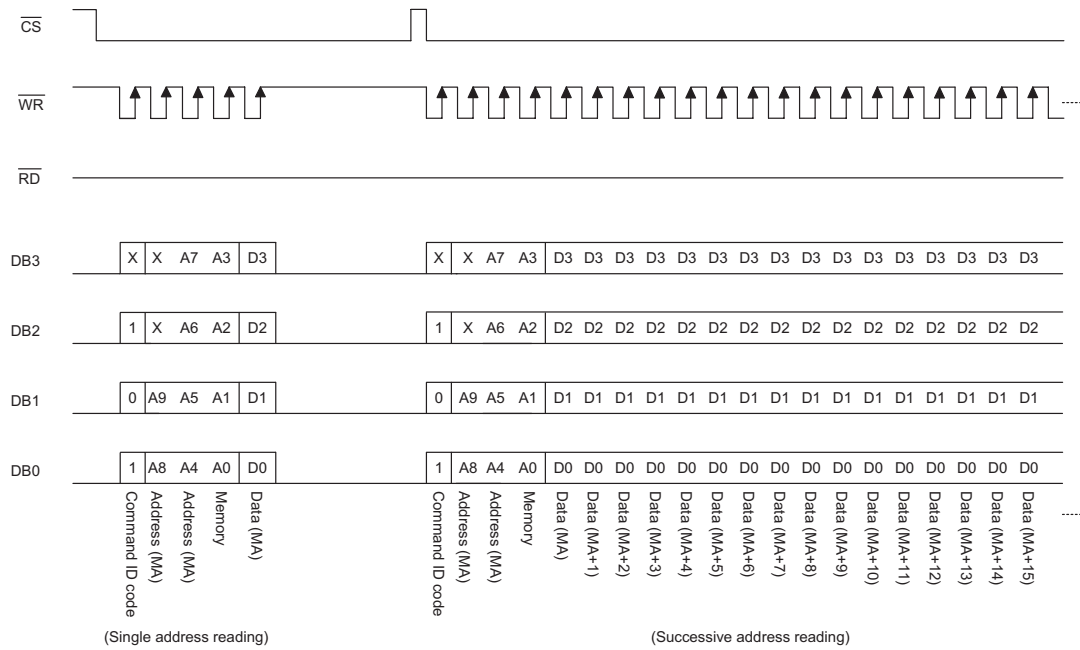
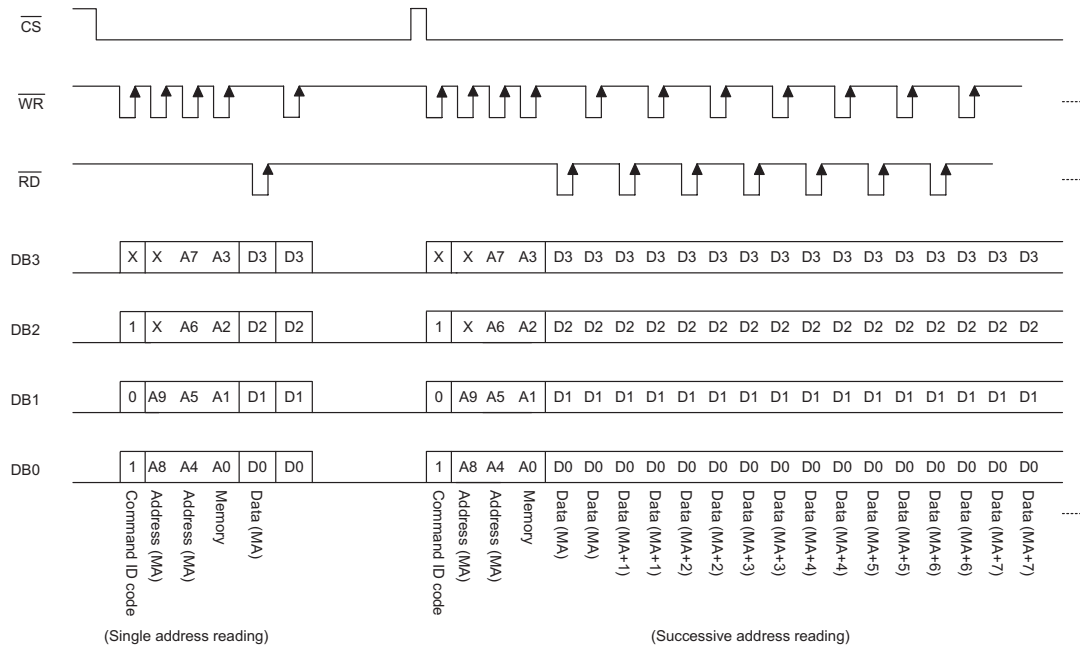
Bias	VLCD	Large Bias Current	Middle Bias Current	Small Bias Current
1/5	3V	165μA	70μA	30μA
	5V	270μA	110μA	50μA
1/6	3V	140μA	55μA	25μA
	5V	225μA	90μA	40μA



**Internal Resistor Type Bias Generator Configurations**

Note: The voltage applied to VLCD pin must be lower than 7V  
Adjust VR to fit LCD display



**WRITE Mode (Command ID Code: 1 0 1)**

**READ-MODIFY-WRITE Mode (Command ID Code: 1 0 1)**




**Instruction Set Summary**

Name	Command Code	D/C	Function	Def.
READ	X110-XXA9A8-A7A6A5A4-A3A2A1A0-D3D2D1D0	D	Read data from the RAM	
WRITE	X101-XXA9A8-A7A6A5A4-A3A2A1A0-D3D2D1D0	D	Write data to the RAM	
READ-MODIFY-WRITE	X101-XXA9A8-A7A6A5A4-A3A2A1A0-D3D2D1D0	D	Read and Write data to the RAM	
SYS DIS	X100-0000-0000-XXXX-XXXX	C	Turn Off both system oscillator and LCD bias generator	Yes
SYS EN	X100-0000-0001-XXXX-XXXX	C	Turn On system oscillator	
LCD OFF	X100-0000-0010-XXXX-XXXX	C	Turn Off LCD display	Yes
LCD ON	X100-0000-0011-XXXX-XXXX	C	Turn On LCD display	
TIMER DIS	X100-0000-0100-XXXX-XXXX	C	Disable time base output	Yes
WDT DIS	X100-0000-0101-XXXX-XXXX	C	Disable WDT time-out flag output	Yes
TIMER EN	X100-0000-0110-XXXX-XXXX	C	Enable time base output	
WDT EN	X100-0000-0111-XXXX-XXXX	C	Enable WDT time-out flag output	
TONE OFF	X100-0000-1000-XXXX-XXXX	C	Turn Off tone outputs	Yes
CLR TIMER	X100-0000-1101-XXXX-XXXX	C	Clear the contents of the time base generator	
CLR WDT	X100-0000-1111-XXXX-XXXX	C	Clear the contents of the WDT stage	
TONE 4K	X100-0001-0000-XXXX-XXXX	C	Turn on tone output, tone frequency output: 4kHz	
TONE 2K	X100-0001-0001-XXXX-XXXX	C	Turn on tone output, tone frequency output: 2kHz	
IRQ DIS	X100-0001-0010-XXXX-XXXX	C	Disable $\overline{\text{IRQ}}$ output	Yes
IRQ EN	X100-0001-0011-XXXX-XXXX	C	Enable $\overline{\text{IRQ}}$ output	
RC 32K	X100-0001-0100-XXXX-XXXX	C	System clock source, on-chip RC oscillator	Yes
EXT (X'TAL)	X100-0001-0101-XXXX-XXXX	C	System clock source, external 32kHz clock source or crystal oscillator 32.768kHz	
LARGE BIAS	X100-0001-0110-XXXX-XXXX	C	Large bias current option	Yes
MIDDLE BIAS	X100-0001-0111-XXXX-XXXX	C	Middle bias current option	
SMALL BIAS	X100-0001-1000-XXXX-XXXX	C	Small bias current option	
BIAS 1/6	X100-0001-1010-XXXX-XXXX	C	LCD 1/6 bias option	Yes
BIAS 1/5	X100-0001-1001-XXXX-XXXX	C	LCD 1/5 bias option	
FRAME 170Hz	X100-0001-1100-XXXX-XXXX	C	Selects 170Hz frame frequency	
FRAME 89Hz	X100-0001-1101-XXXX-XXXX	C	Selects 89Hz frame frequency	
FRAME 64Hz	X100-0001-1110-XXXX-XXXX	C	Selects 64Hz frame frequency	Yes
Select 144×16	X100-0001-1111-XXXX-XXXX	C	This command will change segment from 96 to 112 and command from 32 to 16	
F1	X100-1010-0000-XXXX-XXXX	C	Time base clock output: 1Hz The WDT time-out flag after: 4s	
F2	X100-1010-0001-XXXX-XXXX	C	Time base clock output: 2Hz The WDT time-out flag after: 2s	
F4	X100-1010-0010-XXXX-XXXX	C	Time base clock output: 4Hz The WDT time-out flag after: 1s	



Name	Command Code	D/C	Function	Def.
F8	X100-1010-0011-XXXX-XXXX	C	Time base clock output: 8Hz The WDT time-out flag after: 1/2s	
F16	X100-1010-0100-XXXX-XXXX	C	Time base clock output: 16Hz The WDT time-out flag after: 1/4s	
F32	X100-1010-0101-XXXX-XXXX	C	Time base clock output: 32Hz The WDT time-out flag after: 1/8s	
F64	X100-1010-0110-XXXX-XXXX	C	Time base clock output: 96Hz The time-out flag after: 1/16s	
F128	X100-1010-0111-XXXX-XXXX	C	Time base clock output: 128Hz The WDT time-out flag after: 1/32s	Yes
TEST	X100-1111-1111-XXXX-XXXX	C	Test mode, user don't use.	
NORMAL	X100-1111-1110-XXXX-XXXX	C	Normal mode, 96×32 mode will be set	Yes

Note: "X" stands for don't care

A9~A0: RAM address

D3~D0: RAM data

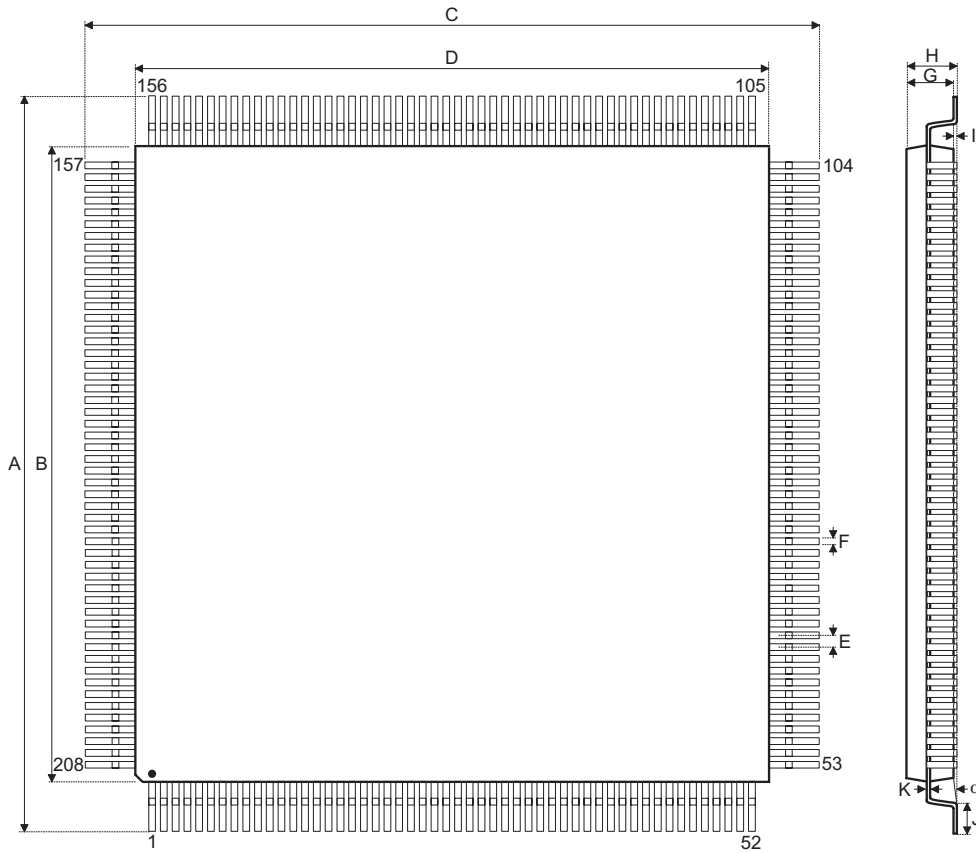
D/C: Data/Command mode

Def.: Power-on reset default

All the bold forms, namely **1 1 0**, **1 0 1**, and **1 0 0**, are mode commands. Of these, **1 0 0** indicates the command mode ID. If successive commands have been issued, the command mode ID except for the first command will be omitted. The tone frequency source and the time base/WDT clock frequency source can be derived from an on-chip 32kHz RC oscillator, a 32.768kHz crystal oscillator, or an external 32kHz clock. Calculation of the frequency is based on the system frequency sources as stated above. It is recommended that the host controller should initialize the HT1670 after power-on reset, otherwise, power on reset may fail, which in turn leads to the malfunctioning of the HT1670.

Package Information

208-pin QFP (28×28) Outline Dimensions



Symbol	Dimensions in mm		
	Min.	Nom.	Max.
A	31	—	31.40
B	27.90	—	28.10
C	31	—	31.40
D	27.90	—	28.10
E	—	0.50	—
F	—	0.20	—
G	3.10	—	3.40
H	—	—	3.70
I	—	0.10	—
J	0.35	—	0.65
K	0.10	—	0.20
$\alpha$	0°	—	7°

**Holtek Semiconductor Inc. (Headquarters)**

No.3, Creation Rd. II, Science Park, Hsinchu, Taiwan  
Tel: 886-3-563-1999  
Fax: 886-3-563-1189  
<http://www.holtek.com.tw>

**Holtek Semiconductor Inc. (Taipei Sales Office)**

4F-2, No. 3-2, YuanQu St., Nankang Software Park, Taipei 115, Taiwan  
Tel: 886-2-2655-7070  
Fax: 886-2-2655-7373  
Fax: 886-2-2655-7383 (International sales hotline)

**Holtek Semiconductor Inc. (Shanghai Sales Office)**

7th Floor, Building 2, No.889, Yi Shan Rd., Shanghai, China 200233  
Tel: 021-6485-5560  
Fax: 021-6485-0313  
<http://www.holtek.com.cn>

**Holtek Semiconductor Inc. (Shenzhen Sales Office)**

43F, SEG Plaza, Shen Nan Zhong Road, Shenzhen, China 518031  
Tel: 0755-8346-5589  
Fax: 0755-8346-5590  
ISDN: 0755-8346-5591

**Holtek Semiconductor Inc. (Beijing Sales Office)**

Suite 1721, Jinyu Tower, A129 West Xuan Wu Men Street, Xicheng District, Beijing, China 100031  
Tel: 010-6641-0030, 6641-7751, 6641-7752  
Fax: 010-6641-0125

**Holmate Semiconductor, Inc. (North America Sales Office)**

46712 Fremont Blvd., Fremont, CA 94538  
Tel: 510-252-9880  
Fax: 510-252-9885  
<http://www.holmate.com>

Copyright © 2005 by HOLTEK SEMICONDUCTOR INC.

The information appearing in this Data Sheet is believed to be accurate at the time of publication. However, Holtek assumes no responsibility arising from the use of the specifications described. The applications mentioned herein are used solely for the purpose of illustration and Holtek makes no warranty or representation that such applications will be suitable without further modification, nor recommends the use of its products for application that may present a risk to human life due to malfunction or otherwise. Holtek's products are not authorized for use as critical components in life support devices or systems. Holtek reserves the right to alter its products without prior notification. For the most up-to-date information, please visit our web site at <http://www.holtek.com.tw>.